

LX400

Boardrooms
Classrooms
Executive briefing centers
Meeting rooms
Training rooms



Feature rich for extraordinary value

When bold, detailed images are required for your presentations, the Christie LX400 is a versatile solution with an affordable price tag. This feature rich XGA projector offers 4000 ANSI lumens and 1000:1 contrast ideally suited for small auditoriums, large conference rooms and classrooms. And with four built-in 4-watt audio speakers with SRS WOW™, your presentations will come to life.

Configured with six Pro A/V inputs, the Christie LX400 will accept signals from a broad range of sources and is compatible with most computers and video sources. Featuring manual zoom, focus and lens shift, the Christie LX400 comes with a standard 1.5-1.8:1 zoom lens. You can also choose from the broad suite of optional lenses ranging from 0.8:1

through to an ultra long zoom 7.3:1 lens. All these options make the Christie LX400 easy to fit in a variety of applications and room sizes.

Designed for low maintenance, with an easy to access top loading lamp and 2000 hour rated filter, the Christie LX400 provides you with dependable performance. Also, take advantage of the built-in network connection via RJ-45 LAN connector for remote access by a web browser for diagnostics and programmable e-mail product status alerts.

Feature-rich, incredible performance and the industry's best warranty, the Christie LX400 offers full value without compromise.

CHRISTIE®

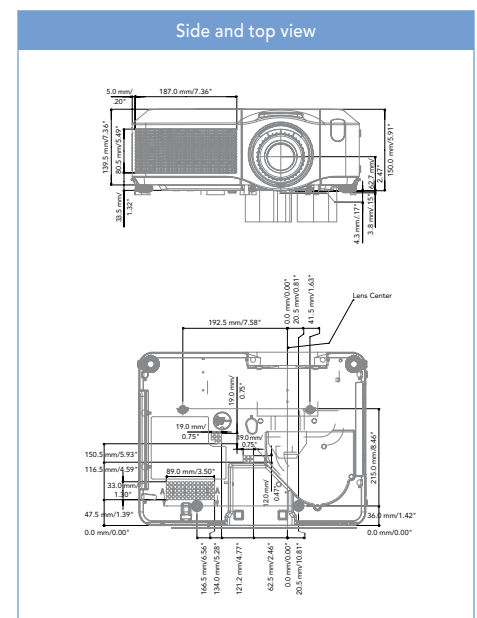
TECHNICAL SPECIFICATIONS

		LX400 (121-003104-01)	
Image	brightness	• 4000 ANSI lumens (single lamp)	
	contrast	• 1000:1 (full on/off)	
	uniformity	• 90% brightness uniformity (corner to center)	
Display technology	type	• 3 x 0.79" LCDs	
	native resolution	• XGA 1024 x 768 resolution	
	aspect ratio	• 4:3 native (16:9 selectable PC & Video)	
Lamp type		• Single 275W UHB	
Lamp life		• Normal mode: up to 2000hr • Eco mode: 3000hr	
Input	signals	• VGA through to UXGA (1600 x 1200) • NTSC, NTSC 4.43, PAL, PAL M, SECAM, PAL-N, PAL 60 • Supports standard HDTV formats (480i, 480p, 575i, 575p, 720p, 1035i, 1080i, 1080P (via digital connection only)	
	pixel clock	• TMDS 27MHz~150MHz	
	scan rates	• Horizontal frequency range 15-106.0kHz • Vertical frequency range 50-120Hz	
	control and networking	• Serial input – Dsub-9 x 1 • LAN port – RJ45 • USB Port – B type (Used for remote control mouse only)	
	Optical system	• Manual zoom, focus and lens shift • Vertical and Horizontal lens shift*	
	Accessories	standard	• Wireless/Wired remote control (two "AA" type batteries and wired cable included) • User's manual (CD-ROM and Quick Manual) • Computer cable (Male Dsub15 – Male Dsub15) • 3 AC cords: UL type (NEMA 6-20P plug type) • European 2P plug type • UK 3-pin
optional lenses		Ships with standard lens – Zoom 1.5-1.8:1	Part Numbers N/A
		Fixed short 0.8:1	121-100102-01
		Zoom short 1.2-1.9:1	121-101103-01
		Zoom long 1.9-3.8:1	121-102104-01
		Zoom ultra long 3.9-7.3:1	121-103105-01
Enhanced feature sets		• Customizable start-up screen • Digital Keystone: ±40 degrees horizontal, ±20 degrees vertical • Dynamic iris control for maximum dynamic range with video sources • Built-in keypad (power on/standby, menu, up, down, left, right arrows) • Front and rear infrared sensors for IR remote • Built-in RS-232c port • RJ-45 LAN connection with network control, SNMP monitoring and email alerts • Anti-theft: Kensington slot and security bar • Support for closed caption video display • Audio speakers 4W x 4 with SRS WOW™	
Power requirements	operating voltage	• 90-132V and 198-264V	
	operating current	• 5.0A max @ 100-120 VAC 50/60Hz • 2.1A max @ 200-240 VAC 50/60Hz	
	power	• 460W max	
	dissipation	• 1570BTU/hr max	
Dimensions	size (body-only)	• (LxWxH): 12.52 x 16.46 x 5.47" (318 x 418 x 139mm)	
	weight	• 15.8lbs (7.2kg)	
	shipping weight	• 25.57lbs (11.6kg)	
	shipping size	• 18.8 x 21.9 x 9.6" (478 x 555 x 244 mm)	
Noise		• Standard mode: 36dBA • Eco mode: 30dBA	
Operating environment		• Operating temperature: 40°F to 95°F (5°C to 35°C) • Storage temperature: 14°F to 140°F (-10°C to 60°C) • Humidity (non-condensing): 10-85%	
	Regulatory approvals	This product conforms to the following regulations related to product safety, environmental requirements and electromagnetic compatibility (EMC): • FCC part 15, subpart B class B; CISPR22/EN55022; CISPR24/EN55024 • UL 60950-1 first edition; CAN/CSA-C22.2 No 60950-1-03 first edition • IEC60950-1:2001 • 2002/95/EC RoHS	
	Limited warranty	projector lamp • 3 years parts and labor • 120 days or 500 hours, whichever occurs first. • Contact an authorized Christie representative for full details of our limited warranty	

* Actual range depends on lens used



▲ The LX400 features manual zoom and focus, vertical and horizontal lens shift and a range of lenses.



Corporate offices

Christie Digital Systems USA, Inc
USA – Cypress
ph: 714 236 8610
Christie Digital Systems Canada, Inc.
Canada – Kitchener
ph: 519 744 8005

Independent sales consultant offices

Spain
ph: +34 91 633 9990
Italy
ph: +39 (0)2 9902 1161
South Africa
ph: +27 (0) 317 671 347

Worldwide offices

United Kingdom
ph: +44 118977 8000
Germany
ph: +49 2161 664540
France
ph: +33 (0) 1 41 21 44 04
Eastern Europe and Russian Federation
ph: +36 (0) 1 47 48 100
Dubai (United Arab Emirates)
ph: +971 (0) 4 299 7575
India
ph: +080 41468941 – 48
Singapore
ph: +65 6877 8737
China (Shanghai)
ph: +86 21 6278 7708
China (Beijing)
ph: +86 10 6561 0240
Japan (Tokyo)
ph: +81 3 3599 7481

ISO 9001



ISO 14001



For the most current specification information, please visit www.christiedigital.com

Copyright 2009 Christie Digital Systems USA, Inc. All rights reserved. All brand names and product names are trademarks, registered trademarks or tradenames of their respective holders. Canadian manufacturing facility is ISO 9001 and 14001 certified. Performance specifications are typical. Due to constant research, specifications are subject to change without notice. Printed in Canada on recycled paper. 2460 Apr 09

CHRISTIE®